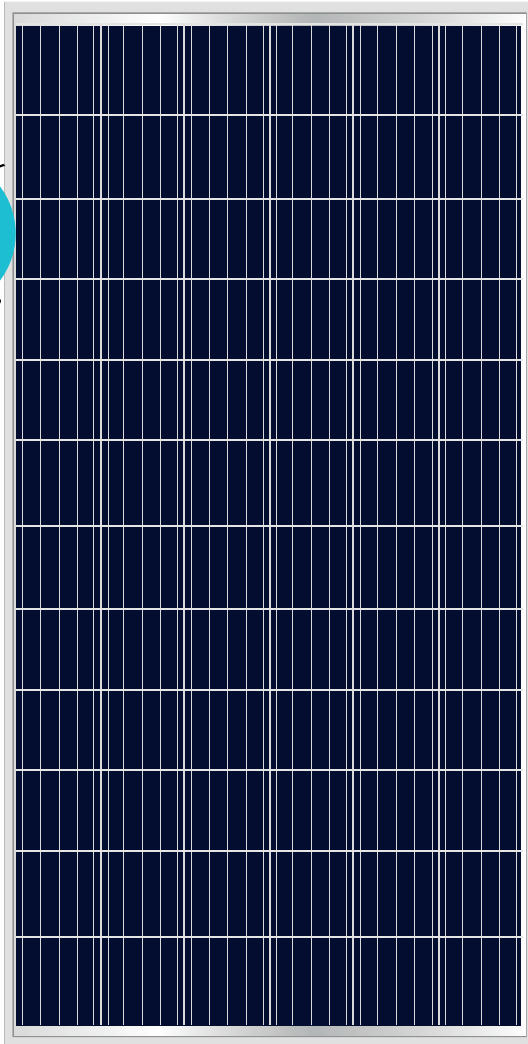


AB-72P

325 W
330 W
335 W
340 W

72 (6x12) 156.75x156.75mm 5BB



Power tolerance (0~+4.99%) to ensure the high reliability of power output



Modules certified by TÜV to with stand high level of wind loads (2400 Pa) and snow loads (5400 Pa)



Special PV Module Insurances by world leading insurance company guarantees the benefit of PV investors and PV module users

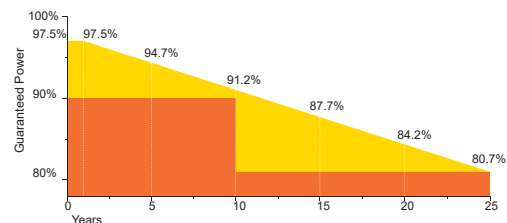


Junction box and bypass diods guarantee the modules free of overheating and "hot spot effect"

WHY ABI-SOLAR?

- ① Manufacturing and assembly of PV modules are performed only on East Asian enterprises from **Bloomberg Tier 1** list.
- ① PV modules are tested and demonstrate high reliability in various climatic conditions and in a wide range of insolation.
- ① High efficiency and return on investment guaranteed around the world.
- ① Modules certified by global testing facilities: IEC61215, IEC61730, CE, ROHS, TÜV.
- ① Manufacturing with international quality standarts and environment management system: ISO9001 and ISO14001.
- ① Maximum power and performance at minimal price ensure fast return of investments.
- ① Compatability with both on-grid and off-grid PV systems guaranteed.

INDUSTRY-LEADING WARRANTY BASED ON NOMINAL POWER



10-year Warranty for Materials and Processing
25-year Warranty for Extra Linear Power Output

12

YEAR
Manufacturing Warranty

12

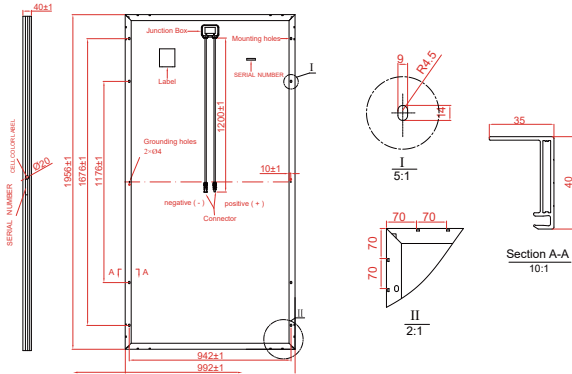
YEAR WARRANTY
90% Power Output

25

YEAR WARRANTY
80% Power Output

AB-72P

MECHANICAL DRAWINGS



MECHANICAL SPECIFICATIONS

Cell type	Poly crystalline
Dimensions (AxBxC)	1956 x 992 x 40mm
Weight	21.5kg
Frame	Anodized aluminium alloy
Junction	IP68, 3 diodes
Connector	MC4 Compatible
Front glass thickness	3.2 mm AR coating tempered glass, low iron
Output cables	4.0 mm ² , cable length: 1200 mm
Maximum snow load (IEC 61215)	5400 Pa

ELECTRICAL CHARACTERISTICS (STC)

	AB325-72P	AB330-72P	AB335-72P	AB340-72P
Maximum Power (Pmax)	325	330	335	340
Shot Circuit Current (Isc)	9,03	9,12	9,20	9,30
Open Circuit Voltage (Voc)	45,7	45,9	46,2	46,4
Maximum Power Current (Impp)	8,72	8,80	8,89	8,98
Maximum Power Voltage (Vmpp)	37,30	37,50	37,70	37,90
Module Efficiency	16,75	17,01	17,26	17,52
Power Tolerance	(0,+4.99)			
Maximum Series Fuse	20A			
Maximum System Voltage	1000VDC / 1500VDC			

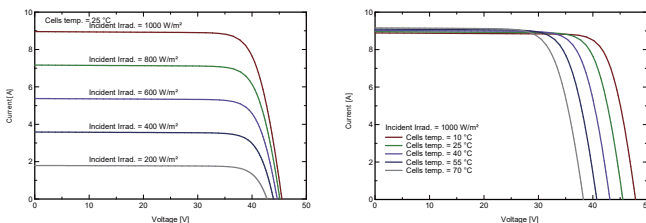
NOCT

	AB325-72P	AB330-72P	AB335-72P	AB340-72P
Maximum Power (Pmax)	240	244	248	252
Shot Circuit Current (Isc)	7,30	7,37	7,43	7,49
Open Circuit Voltage (Voc)	42,20	42,40	42,60	42,80
Maximum Power Current (Impp)	6,89	6,98	7,02	7,10
Maximum Power Voltage (Vmpp)	34,80	35,0	35,30	35,50

STC irradiance: 1000 W/m² module temperature: +25 °C AM=1.5

NOCT irradiance: 800 W/m² module temperature: +20 °C

I-V Curve



TEMPERATURE CHARACTERISTICS

Nominal Operating Cell Temperature (NOCT)	45±2 °C
Temperature Coefficient of Pmax	-0.39 %/°C
Temperature Coefficient of Voc	-0.30%/°C
Temperature Coefficient of Isc	+0.05 % /°C
Operating Temperature	-40~+85 °C

PACKING CONFIGURATION

	1956x 992x40 mm		
Container	20'GP	40'GP	40'HQ
Pieces per Pallet	27	27	27+2*
Weight of packing unit	10	22	22
Pieces per Container	270	594	638

* 27+2 pieces per pallet is the special package which only suits for container transport.

QUALIFICATIONS AND CERTIFICATES



Specifications are subject to change without prior notification

PL02

www.abi-solar.com