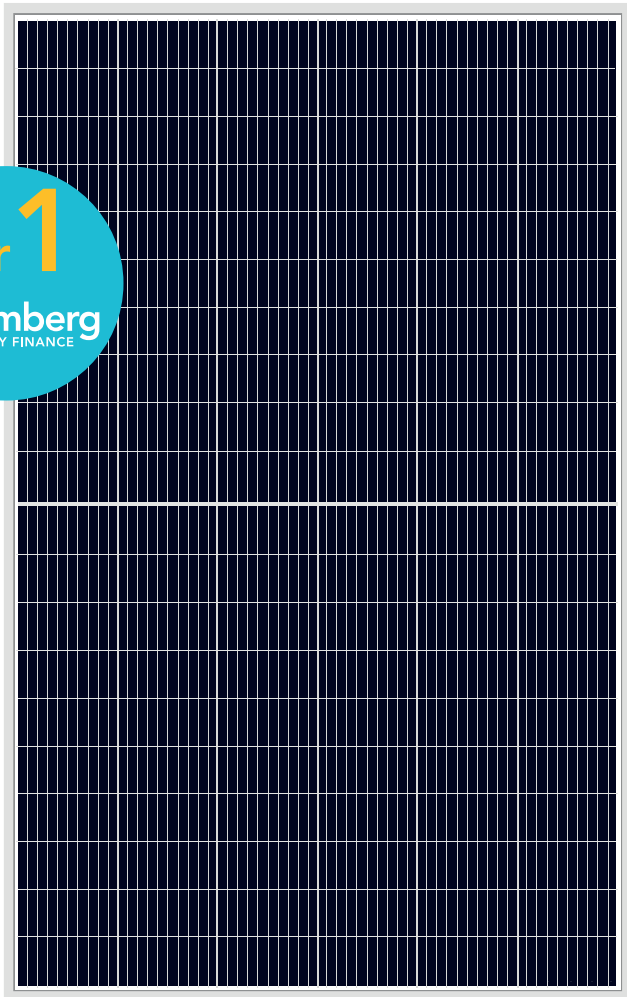


AB-60MHC

355 W
360 W
365 W
370 W

120 (6×20) 166×83mm 9BB



Tier 1
Bloomberg
NEW ENERGY FINANCE



Higher output, efficiency & ROI due to reduced "Cell To Module" loss.



6% Less Internal Power Loss due to shorter ribbon length.



50% Higher Yield due to better shading response



Twice Less Mismatch Loss due to double internal strings of cells.

WHY ABI-SOLAR?

- Manufacturing and assembly of PV modules are performed only on East Asian enterprises from **Bloomberg Tier 1** list.
- PV modules are tested and demonstrate high reliability in various climatic conditions and in a wide range of insolation.
- High efficiency and return on investment guaranteed around the world.
- Modules certified by global testing facilities: IEC61215, IEC61730, CE, ROHS, TÜV.
- Manufacturing with international quality standards and environment management system: ISO9001 and ISO14001.
- Maximum power and performance at minimal price ensure fast return of investments.
- Compatibility with both on-grid and off-grid PV systems guaranteed.

12

YEAR

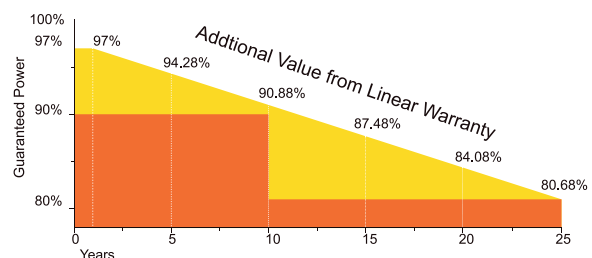
Manufacturing Warranty

25

YEAR WARRANTY

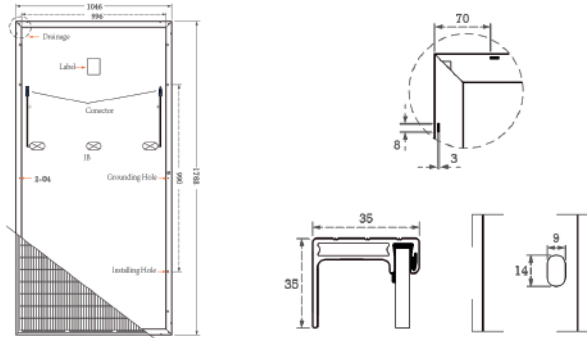
80% Power Output

INDUSTRY-LEADING WARRANTY BASED ON NOMINAL POWER



AB-60MHC

MECHANICAL DRAWINGS



MECHANICAL SPECIFICATIONS

Cell type	Mono crystalline
Dimensions (AxBxC)	1768x1046x35 mm
Weight	20.0 kg
Frame	Anodized aluminium alloy
Junction	IP68, 3 diodes
Connector	MC4 Compatible
Output cables	4.0 mm ² , wire length: 1000mm or Customized
Maximum snow load (IEC 61215)	5400Pa

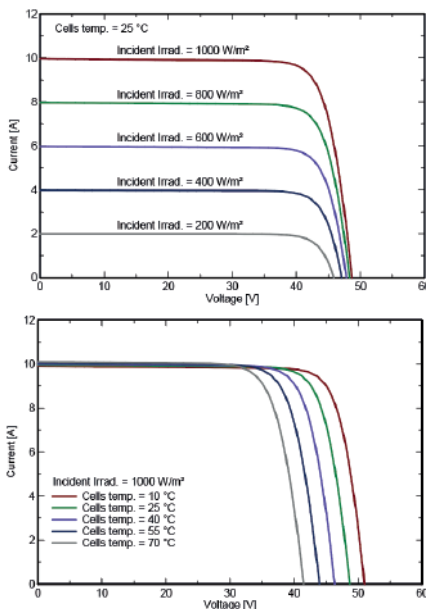
ELECTRICAL CHARACTERISTICS (STC)

	AB355-60MHC	AB360-60MHC	AB365-60MHC	AB370-60MHC
Maximum Power (Pmax)	355W	360W	365W	370W
Shot Circuit Current (Isc)	11.15A	11.21A	11.29A	11.35A
Open Circuit Voltage (Voc)	39.8V	40.14V	40.41V	40.75V
Maximum Power Current (Impp)	10.68A	10.75A	10.82A	10.89A
Maximum Power Voltage (Vmpp)	33.24V	33.49V	33.73V	33.98V
Module Efficiency	19.2%	19.5%	19.7%	20.0%
Power Tolerance	0~+5W			
Maximum System Voltage	1000V/1500 VDC(IEC)			
Maximum Series Fuse	20A			

NOCT

	AB355-60MHC	AB360-60MHC	AB365-60MHC	AB370-60MHC
Maximum Power (Pmax)	260.9W	264.6W	268.2W	271.9W
Shot Circuit Current (Isc)	8.97A	9.02A	9.08A	9.13A
Open Circuit Voltage (Voc)	36.92V	37.24V	37.49V	37.81V
Maximum Power Current (Impp)	8.52A	8.58A	8.63A	8.69A
Maximum Power Voltage (Vmpp)	30.62V	30.85V	31.07V	31.30V

STC irradiance: 1000 W/m² module temperature: +25 °C AM=1.5 NOCT irradiance: 800 W/m² module temperature: +20 °C AM=1.5



TEMPERATURE CHARACTERISTICS

Nominal Operating Cell Temperature (NOCT)	45±2 °C
Temperature Coefficient of Pmax	-0,34 %/°C
Temperature Coefficient of Voc	-0,27 %/°C
Temperature Coefficient of Isc	0.0353% /°C
Operating Temperature	-40~+85 °C

PACKING CONFIGURATION

	1768x1046x35 mm
Container	40'GP
Pieces per Pallet	31
Pallets per Container	26
Pieces per Container	832

QUALIFICATIONS AND CERTIFICATES



Specifications are subject to change without prior notification

PL06

www.abi-solar.com